

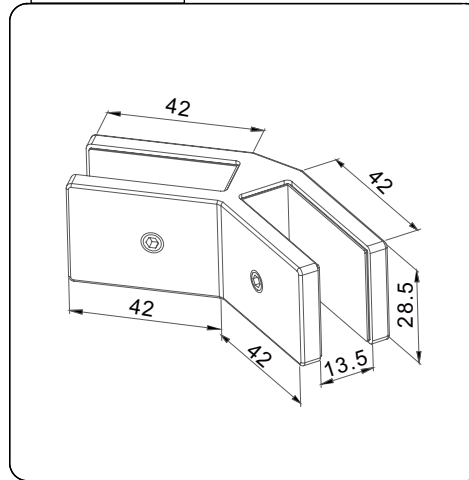
Drawing ID

C-135FX

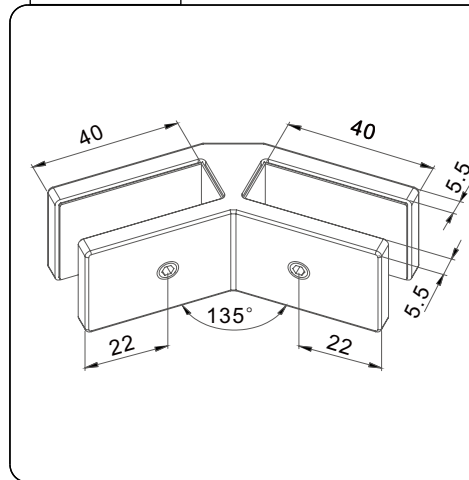
Product Info.

Finish	Code
Polish	C-135FM
Satin	C-135FS
Texture Black	C-135FB

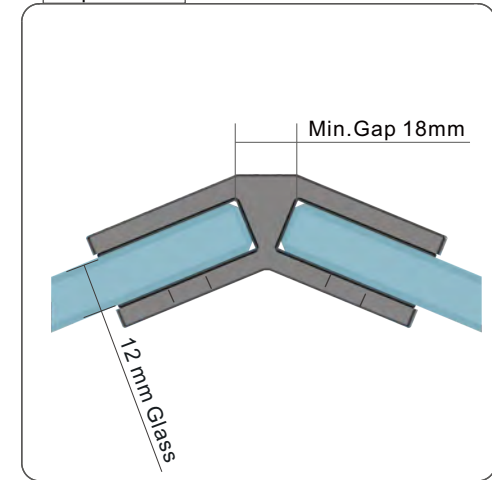
Dimensions



Dimensions



Top View



MATERIAL:

Duplex 2250 Stainless Steel

CATALOGUE AND DESCRIPTION:

- > Glass Fixing System
- > Glass Clamp
- > Friction Fit Glass to Glass 135° Clamp

NOTES:

This drawing and or specification is the property of Silver Stone Hardware Pty Ltd - and must be returned to them on request. Unauthorised use may result in Legal Action. Its contents must not be made public, nor copied, nor used directly or indirectly in any way.

SILVER STONE HARDWARE PTYLID

56-62 Bryant Street, Padstow, NSW 2211
 T: (02) 9792 2955 M: 0452 526 680
www.silverstonehardware.com.au
sales@silverstonehardware.com.au